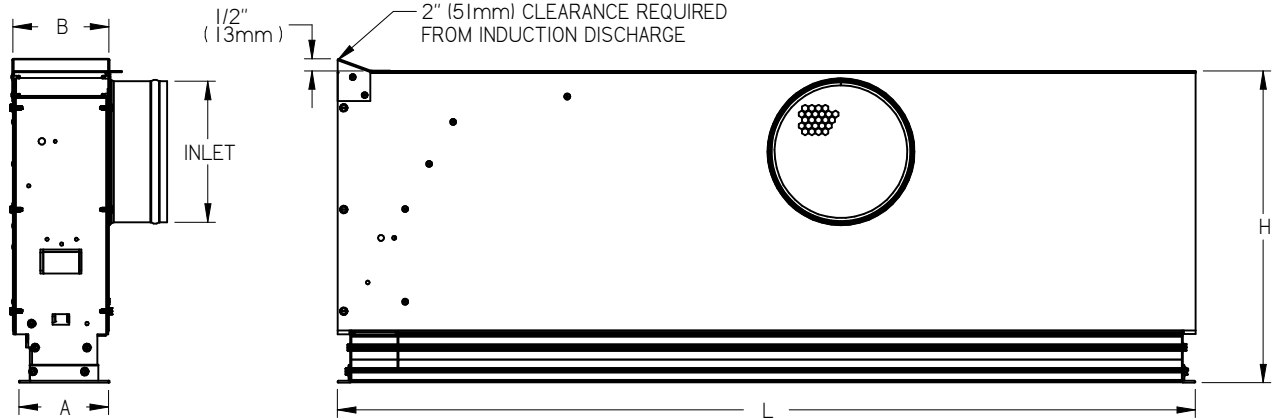
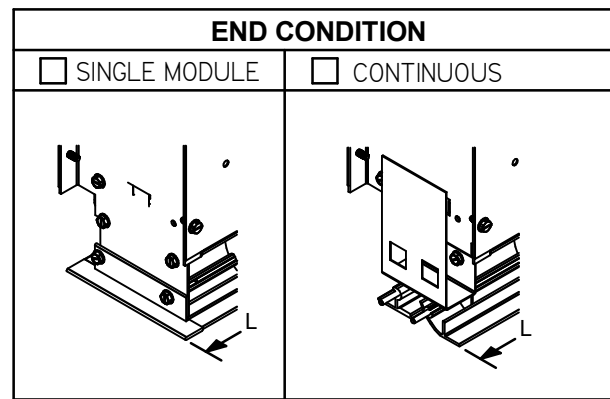


VLD - VARITHERM[®] LINEAR DIFFUSER



	A	B
<input type="checkbox"/> 1 Slot, 1 Way	2 9/16"	4"
	65mm	102mm
<input type="checkbox"/> 2 Slot, 1 Way	3 3/4"	4"
	95mm	102mm
<input type="checkbox"/> 2 Slot, 2 Way	4"	4"
	102mm	102mm
<input type="checkbox"/> 4 Slot, 1 Way	6"	6 5/16"
	152mm	160mm
<input type="checkbox"/> 4 Slot, 2 Way	6 3/8"	6 5/16"
	162mm	160mm



OPERATION:

- C - VAV COOLING ONLY
- CW - VAV COOLING AND CV HEATING
- D - MANUALLY ADJUSTABLE
- RAD - MATCHING RETURN, DUCTED WITH PLENUM
- RAP - MATCHING RETURN, FOR OPEN PLENUM

STANDARD CONSTRUCTION:

- EXTRUDED ALUMINUM DIFFUSER FACE
- COATED STEEL PLENUM
- STEEL RETURN BAFFLE (RAP ONLY)

SETPOINT RANGE:

- STANDARD RANGE FOR HEATING AND COOLING
70 TO 78°F (21 TO 26°C)
- HCSP - HIGHER COOLING RANGE
74 TO 80°F (23 TO 28°C)

NOTES:

- CONTINUOUS DIFFUSERS - FIELD TRIMMING MAY ONLY BE DONE ON TYPE RAP RETURN SECTIONS
- END ANGLES FOR CONTINUOUS UNITS ARE SHIPPED LOOSE FOR FIELD INSTALLATION AT ENDS OF RUN
- FACTORY DEFAULTS:
SET TO 74°F (23°C) WITH STANDARD RANGE
COOLING SET TO 80°F (26.5°C) WITH HCSP OPTION
- FACTORY TOLERANCE ±1/16" (2mm)

Nom. Length	L	
	Single Unit	Continuous
<input type="checkbox"/> 24"	23 3/4"	24 5/8"
<input type="checkbox"/> 36"	35 3/4"	36 5/8"
<input type="checkbox"/> 48"	47 3/4"	48 5/8"
<input type="checkbox"/> 60"	59 3/4"	60 5/8"
<input type="checkbox"/> 600mm	594mm	616mm
<input type="checkbox"/> 900mm	894mm	916mm
<input type="checkbox"/> 1200mm	1194mm	1216mm
<input type="checkbox"/> 1500mm	1494mm	1516mm

PLENUM HEIGHT

- STANDARD PLENUM HEIGHT
H = 13" (330mm)
- LP - LOW PROFILE PLENUM HEIGHT (N/A WITH TOP INLET)
H = 10" (254mm)

FINISH:

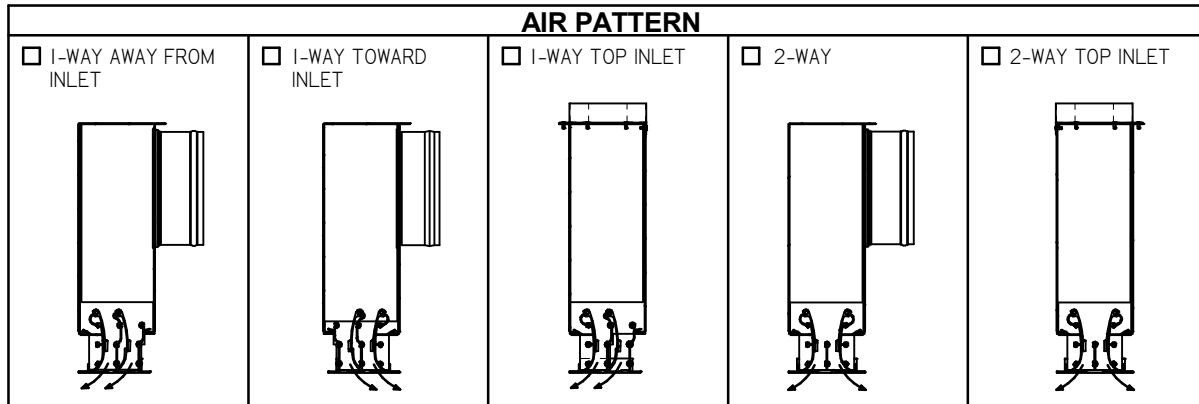
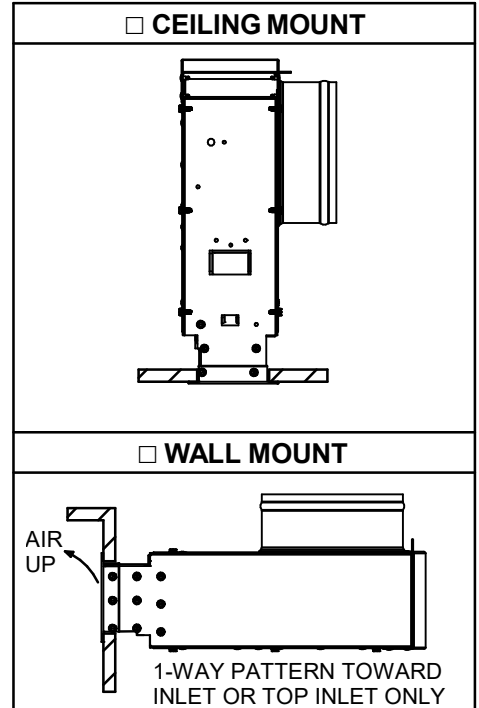
- B12 - WHITE
(OPTIONAL FINISHES AVAILABLE)

ALL METRIC DIMENSIONS () ARE SOFT CONVERTED. IMPERIAL DIMENSIONS ARE CONVERTED TO METRIC AND ROUNDED TO THE NEAREST MILLIMETER.

PROJECT:		PRICE [®]	
ENGINEER:		NS	VLD VARITHERM [®] LINEAR DIFFUSER
CUSTOMER:		275135	
SUBMITTAL DATE:	SPEC. SYMBOL:	JAN 2023	

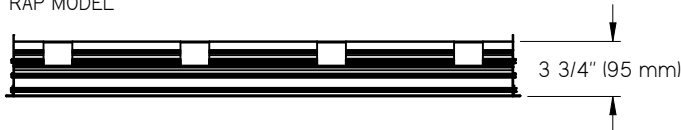
VLD - VARITHERM® LINEAR DIFFUSER

INLET SIZES:		Standard Plenum - Side Inlet	Low Profile Plenum - Side Inlet	Top Inlet
24" / 600mm	1 & 2 Slot	6" (152mm)	6" (152mm)	4" x 8" (102mm x 203mm)
	4 Slot	8" (203mm)	6 3/8" x 8 3/4" (8" equivalent)	6" x 10" (152mm x 254mm)
36" / 900mm	1 & 2 Slot	6" (152mm)	6" (152mm)	4" x 8" (102mm x 203mm)
	4 Slot	8" (203mm)	6 3/8" x 11 7/8" (10" equivalent)	6" x 10" (152mm x 254mm)
48" / 1200mm	1 & 2 Slot	8" (203mm)	6 3/8" x 11 7/8" (10" equivalent)	4" x 16" (102mm x 406mm)
	4 Slot	10" (254mm)	6 3/8" x 15 1/32" (12" equivalent)	6" x 18" (152mm x 457mm)
60" / 1500mm	1 & 2 Slot	8" (203mm)	6 3/8" x 11 7/8" (10" equivalent)	4" x 16" (102mm x 406mm)
	4 Slot	9 7/8" x 12 3/4" (12" equivalent)	6 3/8" x 18 3/16" (14" equivalent)	6" x 18" (152mm x 457mm)



MATCHING RETURN:

RAP MODEL



OPTIONAL INSULATION:

- FF - FIBER FREE FOAM INSULATED PLENUM INTERIOR

OPTIONAL REMOTE ADJUST:

- DISPL - DISIO DISPLAY, MASTER UNIT (REQUIRES 24VAC POWER INPUT)
- DA - SECONDARY UNIT, RESPONDS TO SIGNAL FROM DAM OR WAM MASTER UNITS

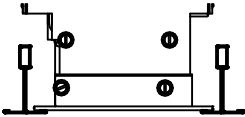
ALL METRIC DIMENSIONS () ARE SOFT CONVERTED. IMPERIAL DIMENSIONS ARE CONVERTED TO METRIC AND ROUNDED TO THE NEAREST MILLIMETER.

PROJECT:		PRICE	
ENGINEER:		<i>NS</i>	VLD
CUSTOMER:		275135	VARITHERM® LINEAR DIFFUSER
SUBMITTAL DATE:	SPEC. SYMBOL:	JAN 2023	

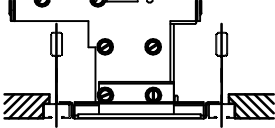
VLD - VARITHERM[®] LINEAR DIFFUSER

BORDER OPTIONS

STANDARD FRAMES
15/16" T-BAR

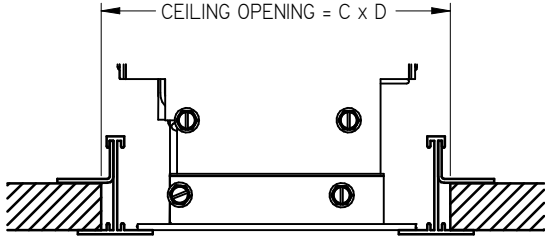


TG9 - 9/16" BOLT SLOT
OR TEGULAR



N/A on continuous units

APF - PLASTER FRAME



N/A on continuous units

Opening Dimensions for Optional APF Plaster Frame:

	C	Nom. Length	D
1 Slot, 1 Way	3 1/4"	24"	24 7/16"
	83mm	36"	36 7/16"
2 Slot, 1 Way	4 7/16"	48"	48 7/16"
	113mm	60"	60 7/16"
2 Slot, 2 Way	4 11/16"	600mm	611mm
	119mm	900mm	911mm
	6 11/16"	1200mm	1211mm
4 Slot, 1 Way	170mm	1500mm	1511mm
	7 1/16"		
4 Slot, 2 Way	179mm		

ALL METRIC DIMENSIONS () ARE SOFT CONVERTED. IMPERIAL DIMENSIONS ARE CONVERTED TO METRIC AND ROUNDED TO THE NEAREST MILLIMETER.

PROJECT:		PRICE [®]	
ENGINEER:		<i>NS</i>	VLD VARITHERM [®] LINEAR DIFFUSER
CUSTOMER:		275135	
SUBMITTAL DATE:	SPEC. SYMBOL:	JAN 2023	